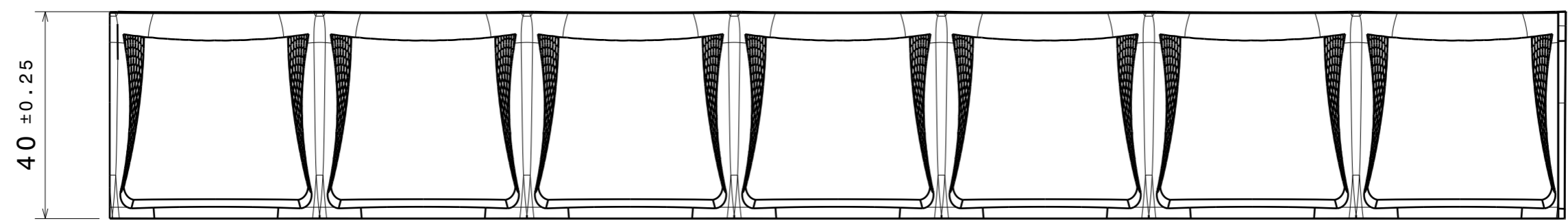
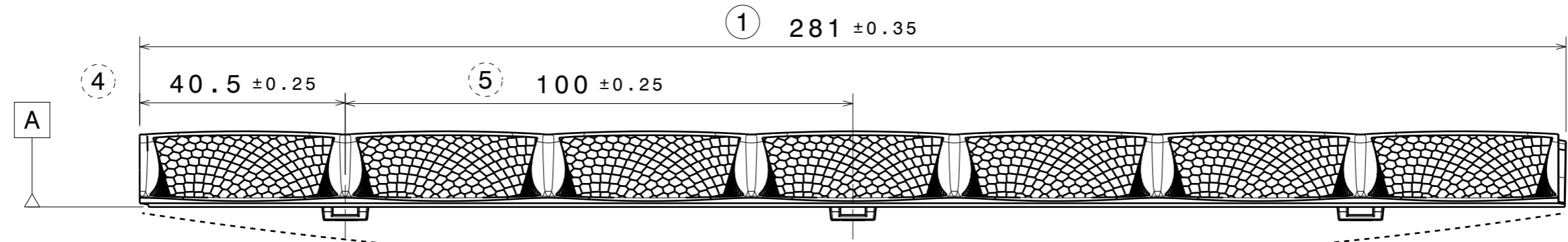
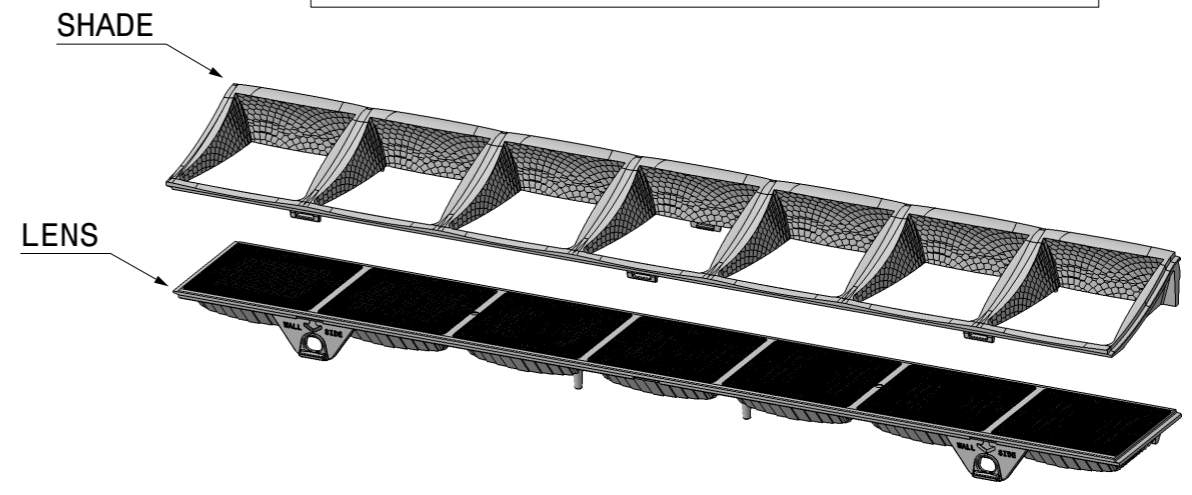
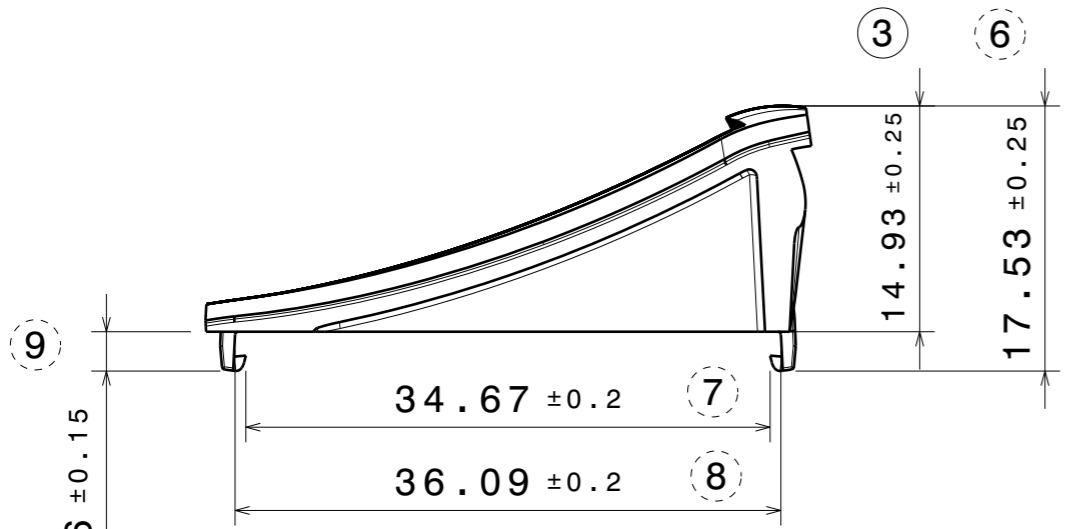


REV	DATE
001	25.09.2025

L20234_BRIANNA-7X1-WAS compatible

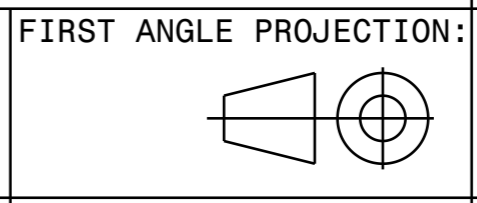


PART	MATERIAL	COLOR / COATING
L20289_BRIANNA-7X1-WAS-SHD2-WHT	PC	white

MECHANICAL DRAWING

PRODUCT **BRIANNA**

Plastic moulding general tolerances according to DIN 16901-130 and applies if not otherwise shown in the drawing. Silicone moulding general tolerances according to ISO 3302-1 Class M3 and applies if not otherwise shown in the drawing.



LEDiL

This drawing is the property of LEDiL Oy. It may not be copied or otherwise distributed without prior written permission from LEDiL Oy.

SCALE	1:1	WEIGHT	23 g	11	A3	SHEET 1/1
-------	-----	--------	------	----	----	-----------

Notes

Check other BRIANNA accessories & shades from the LEDiL website

- PCB or heatsink level.
- LED location
- Ensure LED fitting from a product specific 3D model available from www.ledil.com
- For more details about installation please see LEDiL Installation Guide on www.ledil.com